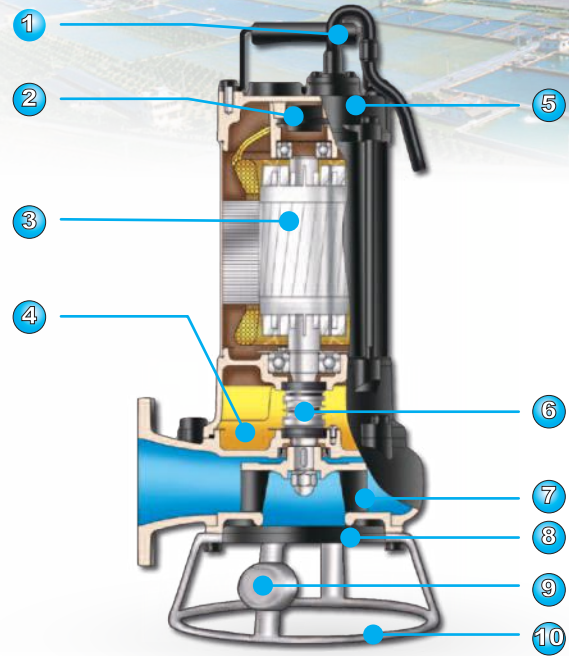


Designed for aquaculture pumps



PRODUCT FEATURES

1 Epoxy Cable Base
An epoxy resin seal cable base prevents moisture from entering the motor through the core wires.

2 Auto-cut
Automatic On/Off motor protector to prevent motor burn out due to high temperature and excess amperage draw.

3 High Efficiency Dry Motors
All stator coils need to be treated with insulating varnish procedure to achieving the best insulation, efficiency and durability.

4 Food Grade Lubricant
The Food Grade White Mineral Lubricant Oil is ECO and environment friendly. Low environmental impact contribute to environmental protection.

5 High Solids Epoxy Coating
100um HIGH SOLIDS EPOXY COATING of dry film. It's provided extraordinary toughness, anti-abrasion properties, excellent resistance to chemicals and brine water.

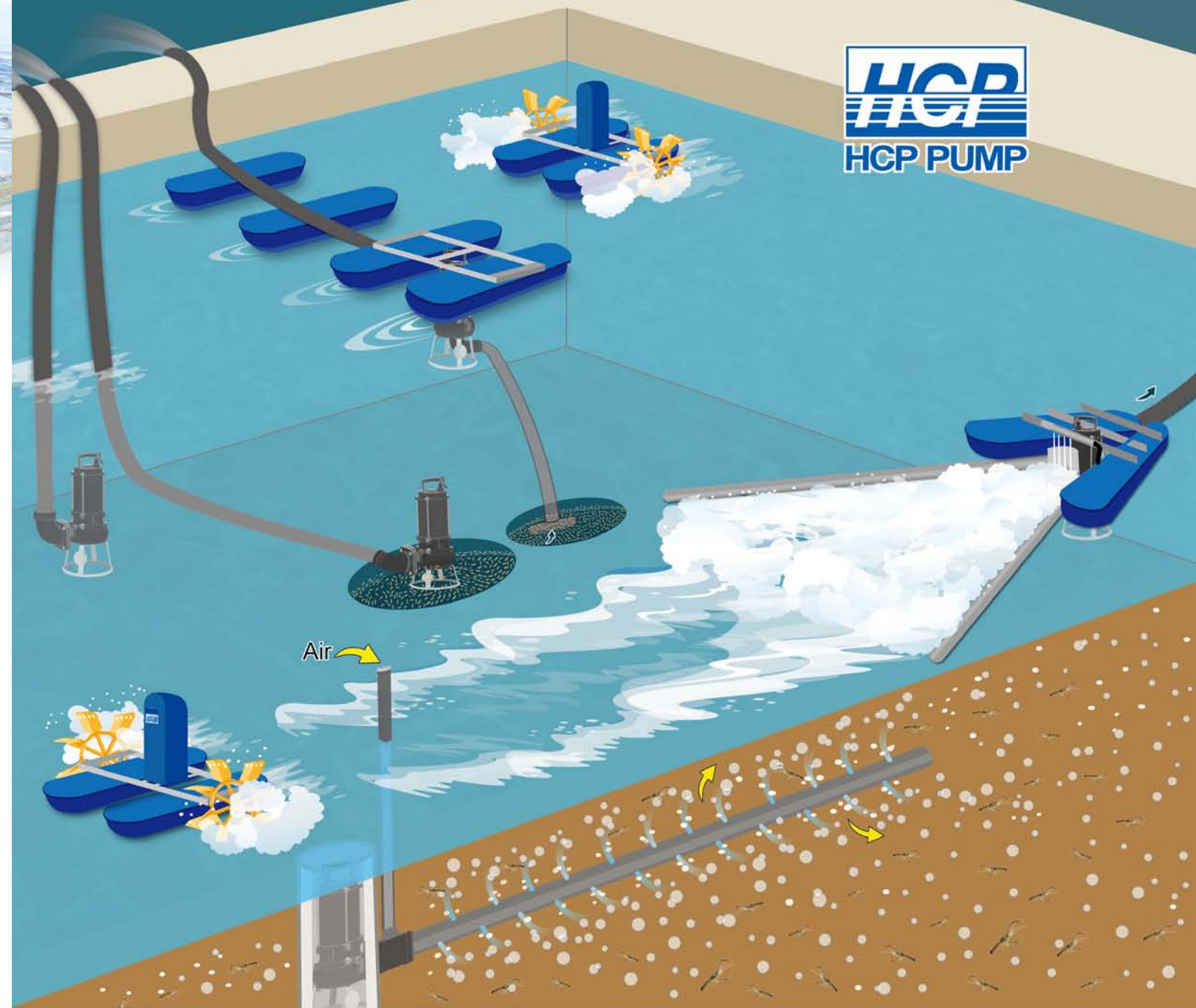
6 Double Mechanical Seals
Superior abrasion resistant mechanical seal manufactured with silicon carbide to ensure the best seal effect.

7 P Type Semi-open 2 Vane Impeller
High efficiency, high Head, non-clog impeller design. Applications for Drainage of wastewater on pond, river, lake. Able to maximize the drainage function.

8 Casing Cover
Inlet flange connection design, to compromise variant piping direction.

9 Anode Protection
Provide extra resistance on salt corrosion and expend the lifetime of pump.

10 Footing
Damage free stainless steel footing for HDPE plastic membrane.



FN-A1
MULTI-FUNCTIONAL
AQUATIC PUMPS
4 in 1

HCP Professionalism • Innovation • Service • Commitment
HCP PUMP MANUFACTURER CO., LTD.
www.hcppump.com.tw



Sole Distributor:
MAXIMA
Ruko Galeri Niaga Mediterania II
Blok N8 B Pantai Indah Kapuk
Jakarta Utara, 14460
+62 21 588 4223 sales@maximaprime.com

DSFNEN0-1604

We reserve the right to alter specifications of product at any time without giving prior notice.



NG

"Quality Water for Quality Shrimp"

is an invariant culture. It is essential to provide quality living environment for quality and successful high density Shrimp farming needs. To reduce the risk of disease and increase productivities of Shrimp farming.

Water Management

The 4-in-1 HCP pump design FN-A1 guarantee the best management water conditions and environments for the growing of quality shrimps and fishes.



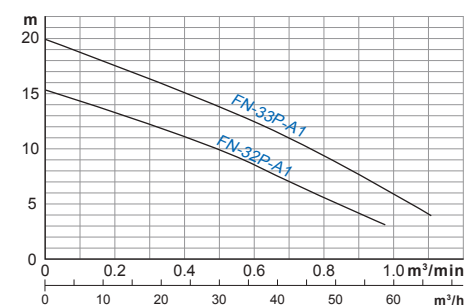
Quality Shrimp

FN SERIES

SEWAGE/EFFLUENT SUBMERSIBLE PUMPS

The FN Series High Solids Epoxy pump body coating, and equipped a sacrificial Anode protect against brine inflicted corrosion and prolong the pump's life expectancy.

PERFORMANCE CURVES



Damage free stainless footing design to avoid damaging HDPE plastic membrane surface.

ACCESSORIES

Elbow kits	weight kg
EB3-130	4.9



PERFORMANCE SPEC.

Model	Output HP(kW)	Discharge Inch(mm)	Phase Ø	Start Method	Head m	Capacity		Solid Passage mm	Weight kg
						m³/min	m³/h		
FN-32P-A1	2 (1.5)	3" (80)	3	Direct	8.5	0.6	36	35	30
FN-33P-A1	3 (2.2)	3" (80)	3	Direct	12.5	0.6	36	35	32

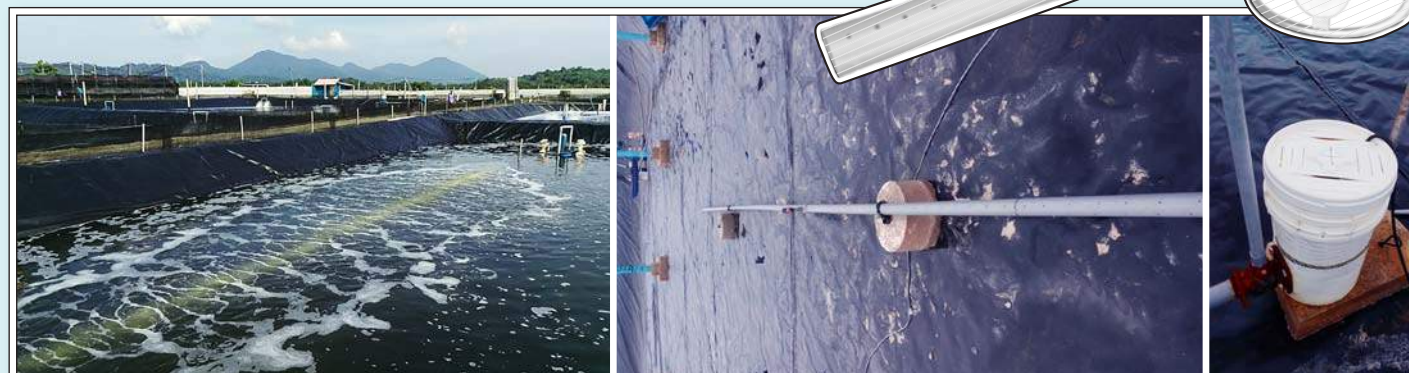
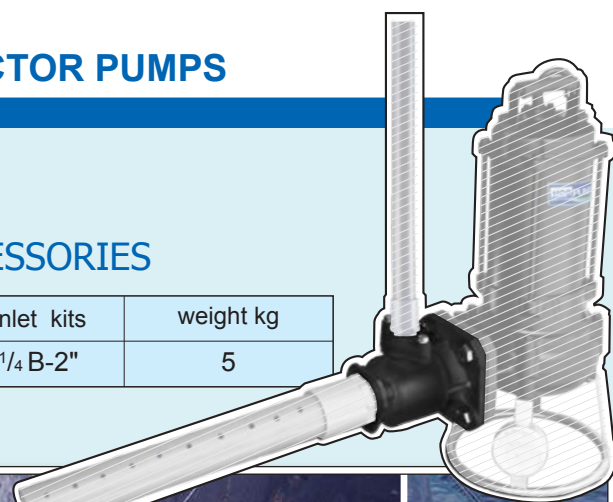
+J SERIES

SUBMERSIBLE EJECTOR PUMPS

The J- Series provides maximum air through a 12m at 1~2m deep aeration pipe, to creates small air bubbles and increase oxygen dissolved. It improve water surface oxygen and enhance aerobic capacity under the bottom. This will reducing ammonia and nitrite level, and improving water quality.

ACCESSORIES

Air Inlet kits	weight kg
J-1 1/4 B-2"	5



+W SERIES

SLUDGE PUMP

One of the common problem across the time in aquaculture farming, which are the deterioration of the water quality cause by sediments from food, dead creatures and organic material that descend to the bottom of the pond producing toxicity after a period of time.

The W Series extract the sediments from the pond using a special design suction mechanism which can effectively removing sediments, sludge and solid from the bottom of Pond. *R.O.C. Patent M457082



+S SERIES

SCUM SKIMMER

The S Series Scum skimmer removing foam and scum on the water surface created by paddlewheel and Ejectors/Aerators. Foam and Scum would have become Toxic ammonia and threaten to for aquaculture farming environment.

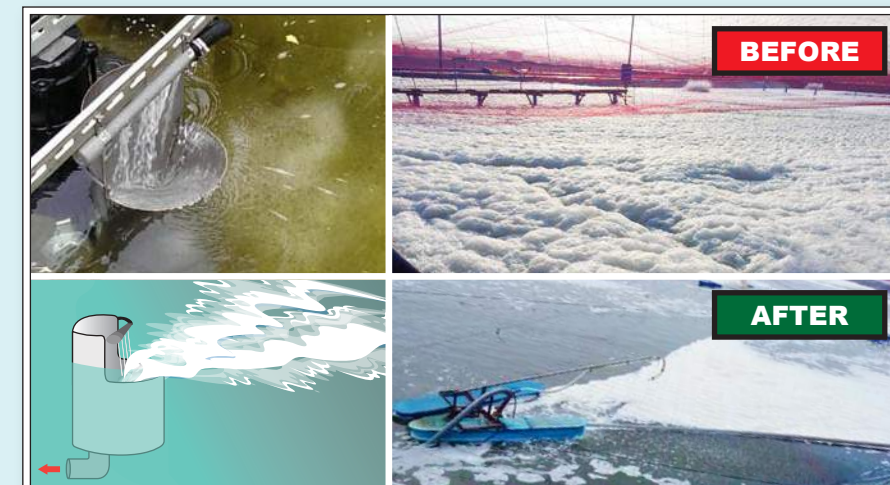
New design of S series are more faster and effective compare traditional manpower salvaging surface foam and scum.

New scum skimmer will provide a good collecting capability and resolve the problem of scum and foam on water surface and make good water quality management.



ACCESSORIES

Scum skimmer kits	weight kg
S-3/2 Tank	15



ACCESSORIES

Sludge pump kits	weight kg
W-3/3	8